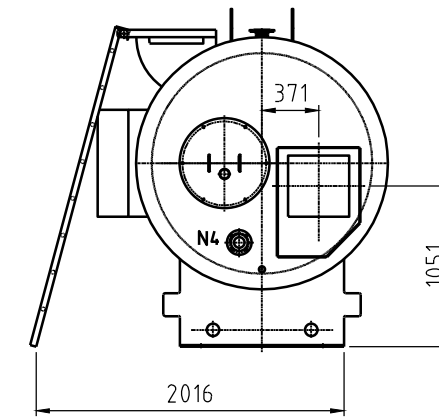
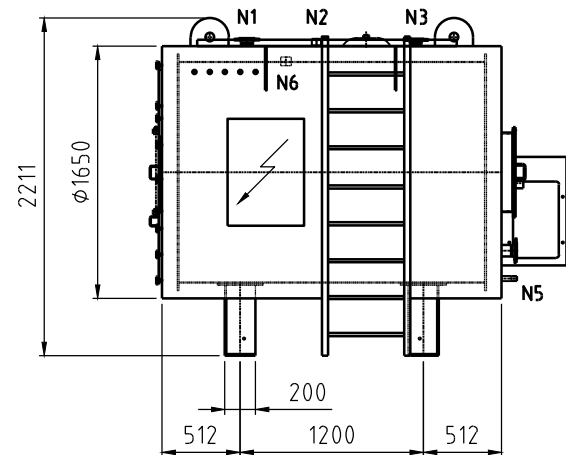
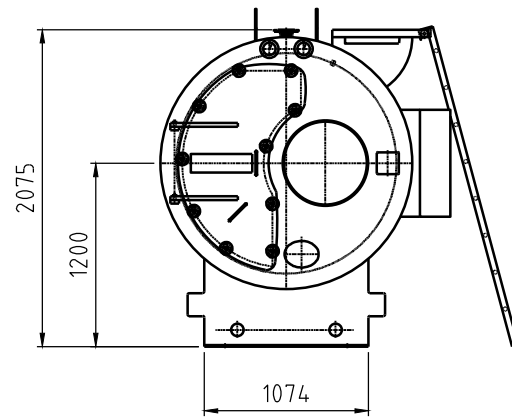
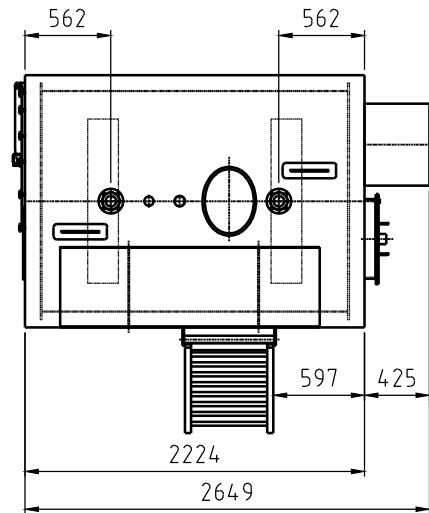

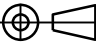


Burnerpanel frame work and platform with stairs are optional.
 Transportmass: ±2 t
 Heated surface: 27m²
 Watercontent: 2,0m³



In case of an order exact boiler weight and measurements will be given on request. Subject to modifications

| NOZZLE CHART (DIN) | | | |
|--------------------|-----------------|----|----|
| | NAME | DN | PN |
| N1 | SUPPLY | 65 | 6 |
| N2 | SAFETY VALVE | 2" | - |
| N3 | RETURN | 65 | 6 |
| N4 | SHUNT | 65 | 6 |
| N5 | DRAIN | 1" | - |
| N6 | LOW WATER LEVEL | 2" | - |

| Index | Date | Drawn | Checked | Modifications |
|---|------|-------|---------|---|
|  | | | | |
| Drawing number: 30550800.HKB | | | | Size: A3 |
| Title: LNE COMPACT 0.5 | | | | Scale: 1:40 |
| Project number: - | | | | Modification: 1 |
| Customer: TK-Top Boiler | | | | Projection:  |
| | | | | Drawn: NG |
| | | | | Date: 24-04-2014 |
| | | | | Checked: RH |
| | | | | Date: 24-04-2014 |

The information contained in this drawing is the sole property of HKB Ketelbouw B.V.
 Any reproduction in part or as a whole without the written permission of HKB Ketelbouw B.V. is prohibited.



Woudeselaan 22, 2635 CH Den Hoorn, Nederland
 Telefoon: +31(0)15-2125547 Fax: +31(0)15-284 0505
 E-Mail: info@tk-topboiler.nl