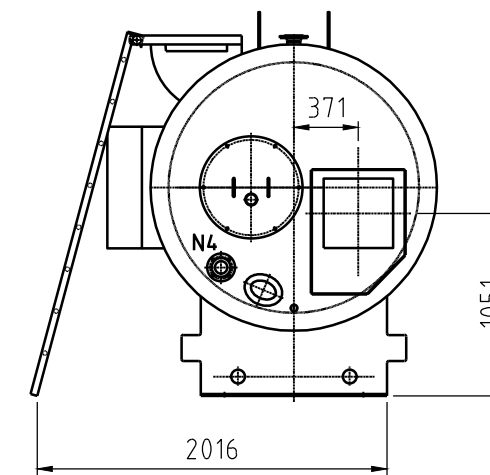
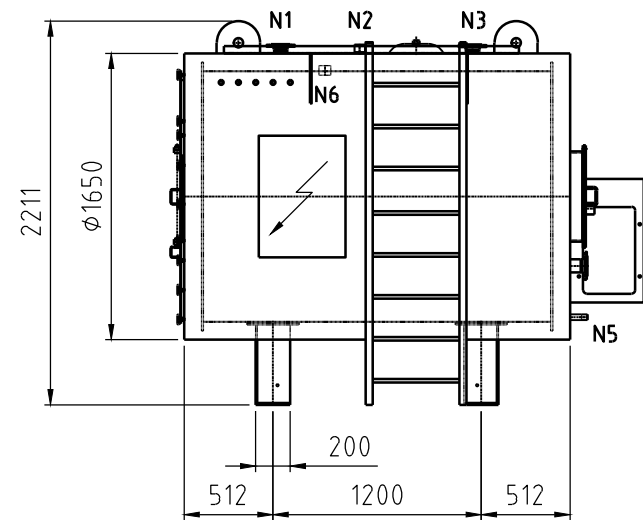
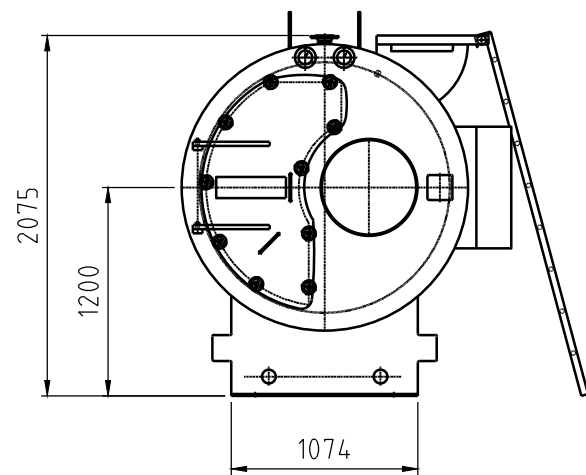
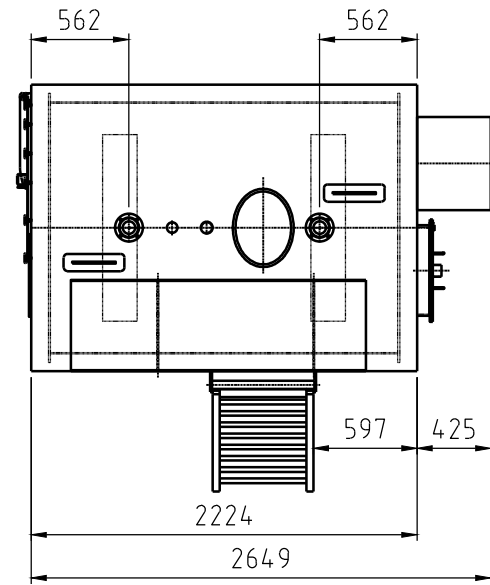


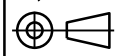


Burnerpanel frame work and platform with stairs are optional.  
 Transportmass: ±2,2 t  
 Heated surface: 27m<sup>2</sup>  
 Watercontent: 2,0m<sup>3</sup>



In case of an order exact boiler weight and measurements will be given on request. Subject to modifications.

NOZZLE CHART (ANSI)			
	NAME	DN	lbs
N1	SUPPLY	125	150
N2	SAFETY VALVE	2"	-
N3	RETURN	125	150
N4	SHUNT	65	150
N5	DRAIN	1"	-
N6	LOW WATER LEVEL	2"	6000

Index	Date	Drawn	Checked	Modifications
				
Drawing number: 30550800.HKB				Size: A3
				Scale: 1:40
Title: LNE COMPACT 0.5 ASME				Modification: 1
Project number:				Projection: 
Customer: TK-Top Boiler				Drawn: NG
				Date: 24-04-2014
				Checked: RH
				Date: 24-04-2014

The information contained in this drawing is the sole property of HKB Ketelbouw B.V. Any reproduction in part or as a whole without the written permission of HKB Ketelbouw B.V. is prohibited.



Woudeselaan 22, 2635 CH Den Hoorn, Nederland  
 Telephone: +31(0)15-2125547 Fax: +31(0)15-2840505  
 E-Mail: info@tk-topboiler.nl