

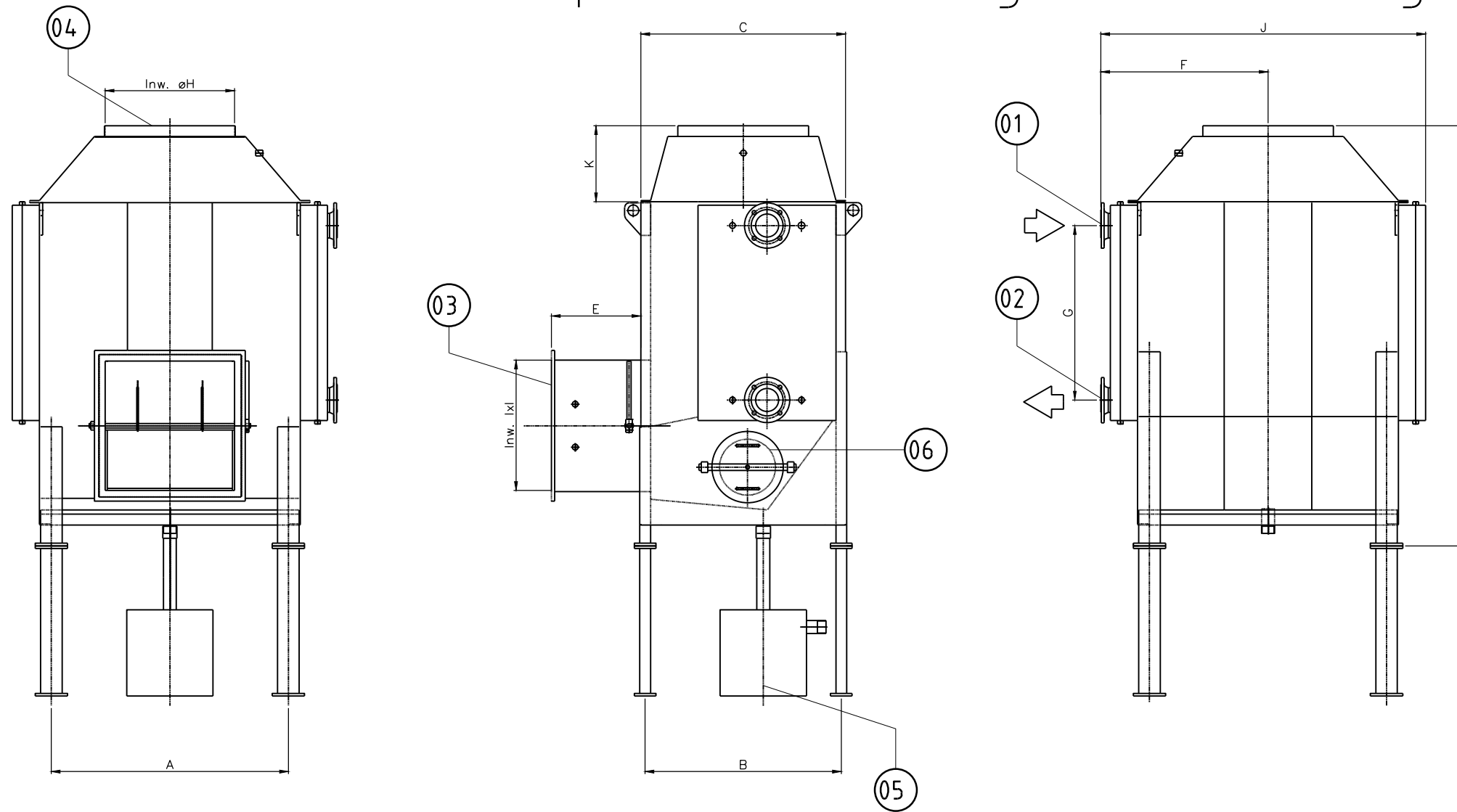
Type Condensator	0,25	0,5	0,75	1,0	1,25	1,5	2,0	2,5	3,0	3,5	4,0	5,0	6,0	7,0	8,0	9,0	10,0	11,0	12,0	13,0
Boilercapacity of .... Mcal/hr	250	500	750	1000	1250	1500	2000	2500	3000	3500	4000	5000	6000	7000	8000	9000	10000	11000	12000	13000
Heated surface (m <sup>2</sup> )	14	28	47	68	95	119	143	184	230	276	307	368	460	537	665	775	831	969	1044	1193
Capacity (Kw) appr.	26	52	73	109	145	181	218	290	363	435	508	580	725	870	1015	1160	1305	1450	1595	1740
Back pressure (Pa)	350	350	350	350	350	350	350	350	400	400	400	450	450	450	500	500	500	555	555	555
Back pressure waterside (Pa*10 <sup>4</sup> )	9,34	2,00	0,08	0,41	0,35	0,38	0,42	0,29	0,35	0,47	0,58	0,91	1,02	1,11	0,16	0,31	0,74	0,88	0,88	0,88
Weight appr. (Kg)	175	230	315	380	450	500	555	680	760	840	950	1050	1220	1350	1590	1800	1930	2180	2340	2525

Dimensions (See dimension sketch)



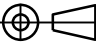
Type Condensator	0,25	0,5	0,75	1,0	1,25	1,5	2,0	2,5	3,0	3,5	4,0	5,0	6,0	7,0	8,0	9,0	10,0	11,0	12,0	13,0
A - Distance between legs	450	450	410	710	710	910	1110	710	910	1110	890	1090	1390	1640	1340	1640	1340	1640	1640	1640
B - Distance between legs	301	366	600	600	750	750	750	950	950	950	1020	1020	1020	1020	1270	1270	1320	1320	1420	1520
C - Depth	351	416	630	630	780	780	780	980	980	980	1030	1030	1030	1030	1280	1280	1330	1330	1430	1530
D - Height without legs	1029	1227	1420	1420	1470	1470	1470	1980	1980	1980	2505	2505	2505	2505	2755	2755	3215	3215	3255	3255
E	266	265	325	330	375	375	375	430	430	430	530	530	530	530	660	660	630	630	680	680
F	418	428	449	599	605	705	805	610	710	810	710	810	960	1085	945	1095	945	1095	1105	1115
G - Distance water connections	319	450	450	450	450	450	450	810	810	810	1120	1120	1120	1120	1170	1170	1490	1490	1540	1540
H - Chimney connection	214	214	214	214	264	314	364	410	410	464	514	514	564	614	664	714	764	814	1014	1014
I - Fluegas connection	250	250	400	400	500	500	500	600	600	600	800	800	800	800	900	900	1000	1000	1100	1100
J - Total width	801	821	859	1159	1165	1365	1565	1175	1375	1575	1375	1575	1875	2125	1840	2140	1840	2140	2155	2185
K - Height chimney connection	200	200	300	300	300	300	300	400	400	400	500	500	500	500	550	550	600	600	650	650
Nozzle N1 / N2 (PN6)	DN25	DN32	DN65	DN65	DN80	DN80	DN80	DN100	DN100	DN100	DN100	DN100	DN100	DN100	DN150	DN150	DN150	DN150	DN150	DN150

In case of an order exact weight and measurements will be given on request.  
Changes reserved

# TK Top Condensating Heatexchanger



- 1. Water inlet
- 2. Water outlet
- 3. Fluegas connection
- 4. Fluegas outlet
- 5. Condensate tank
- 6. Inspection hatch

Index	Date	Drawn	Checked	Modifications	Size	Scale
				Drawing number:	A3	1:40
				Title:	1	
HKB Ketelbouw B.V. Rijnaakkade 16 5928 PT Venlo Tel: 0031-77-7504000 www.hkb-ketelbouw.nl				Project number:	NG	Date: 24-04-2014
				Customer:	RH	Date: 24-04-2014
				TK-Top Boiler		

The information contained in this drawing is the sole property of HKB Ketelbouw B.V. Any reproduction in part or as a whole without the written permission of HKB Ketelbouw B.V. is prohibited.



Woudeselaan 22, 2635 CH Den Hoorn, Nederland  
 Telefoon: +31(0)15-2125547 Fax: +31(0)15-2840505  
 E-Mail: info@tk-topboiler.nl